



MODEL: VA-LTS005
100" 16:9 ADJUSTABLE ALR SCREEN
FOR UST PROJECTOR
User Guide

Thank you for choosing the VAVA Projection Screen. Please read this User Guide thoroughly before use and retain it for future reference.

With the constant optimization of the projector, instructions in this User Guide may not be totally applicable to the actual product.

IMPORTANT SAFETY INSTRUCTIONS

READ AND FOLLOW ALL SAFETY INFORMATION AND INSTRUCTIONS. KEEP FOR FUTURE REFERENCE.

CAUTION

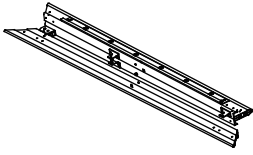
For optimal projection, safe installation and long lasting use of the screen, please always follow below instructions carefully:

- Always handle the screen on a clean, level surface covered with clean cloth, film, etc.
- Gently hold and put down the unit to avoid any damage to the screen surface.
- Do not touch the screen surface by hand. Before handling the screen, put on the pairs of gloves to avoid fingerprint, dust or hand oil on the screen surface.
- Do not poke the screen surface with any sharp or hard objects to avoid scratches or tears.
- It is recommended to clean the screen once every two weeks.
- Wipe clean the screen with a soft cloth and lukewarm water. For general dust, use a soft brush (rough towels or cloth may damage the screen) to clean the screen surface.
- Do not clean with abrasive detergent, solvent or other coarse chemicals to avoid permanent damage to the screen surface.

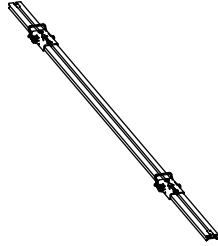
- You may notice a slight smell for first-time use, which will dissipate over time. If the smell is too strong, open a window to ventilate the room.
- Children should be supervised to ensure that they do not play with the screen.
- Please contact your local dealer for repair or maintenance. For any questions or concerns, please email us at support@vava.com or call us at (877) 969-8282.

READ AND SAVE THESE INSTRUCTIONS

Package Contents



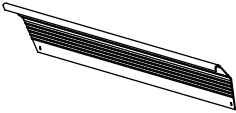
2 x Inner Frames
(Expand to form
a quadrilateral)



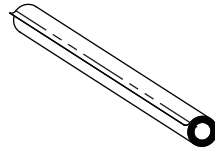
2 x Struts
(With hooks)



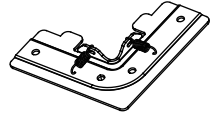
1 x Struts
(Without hooks)



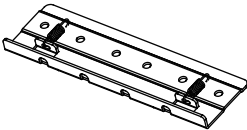
4 x Outer Frame I
(one bevel)
2 x Outer Frame II
(two bevels)



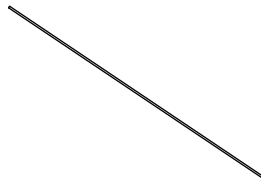
1 x ALR Screen



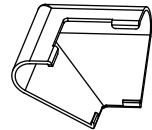
4 x Inner Frame
Corner Connectors



2 x Inner Frame
Connectors

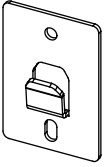


4 x Fiberglass Strips
(Short)
2 x Fiberglass Strips
(Long)

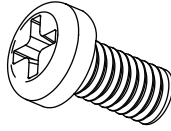


4 x Corner Protectors

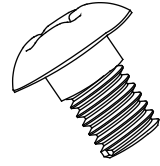
Package Contents



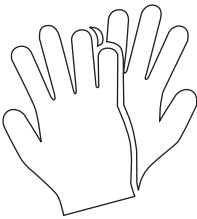
4 x Wall Hangers



18 x M4*8 Screws
(For Strut and
Outer Frame)



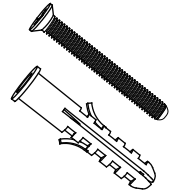
28 x M5*8 Screws
(For Inner Frame
Connectors)



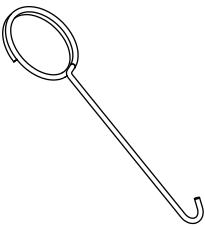
2 x Anti-dirt Gloves



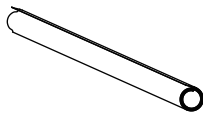
2 x Hexagon
Wrenches



8 x Wall Anchors
with Screws



2 x Hooks



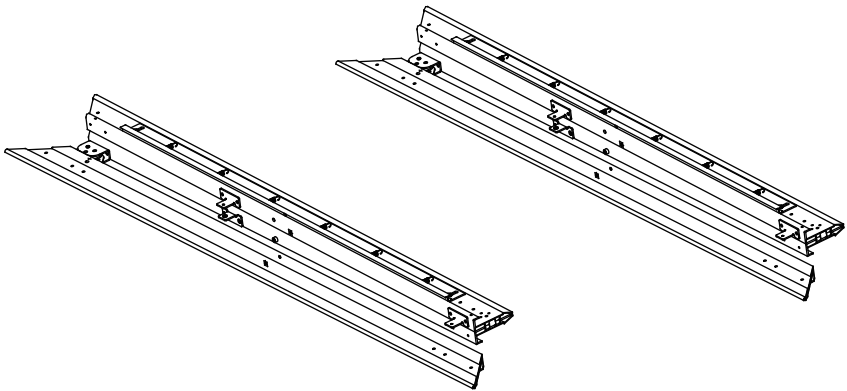
1 x Wall Drilling
Template

How to Setup

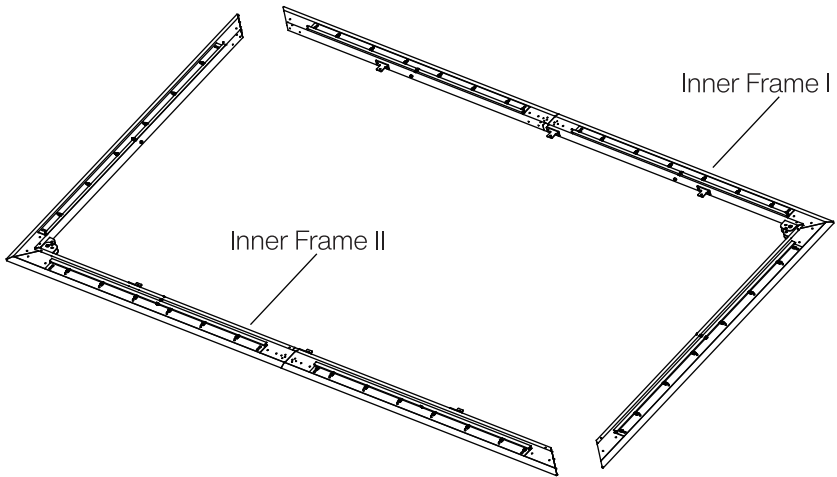
1. Unpack the frames and place the packaging material underneath to keep them protected.
2. Please wear the included protective gloves before handling in case of scratches from metal parts.

Assemble the Inner Frames

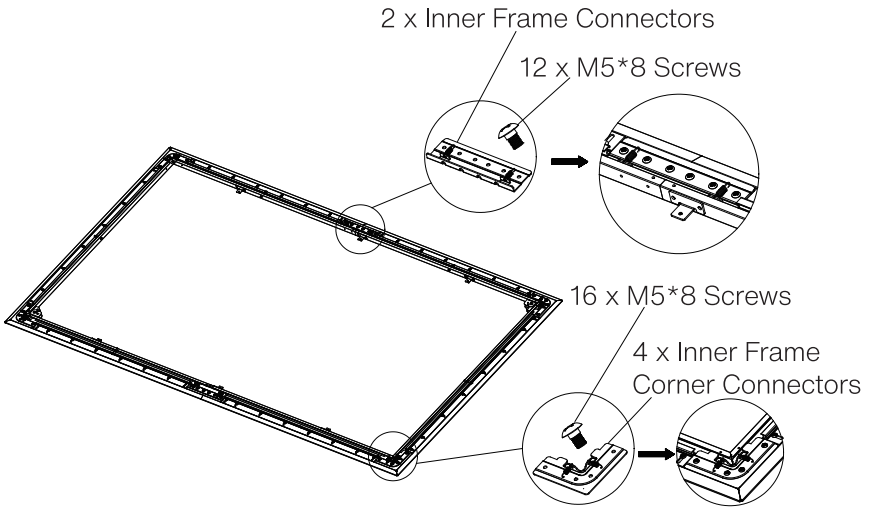
- 1) Take out the two Inner Frames.



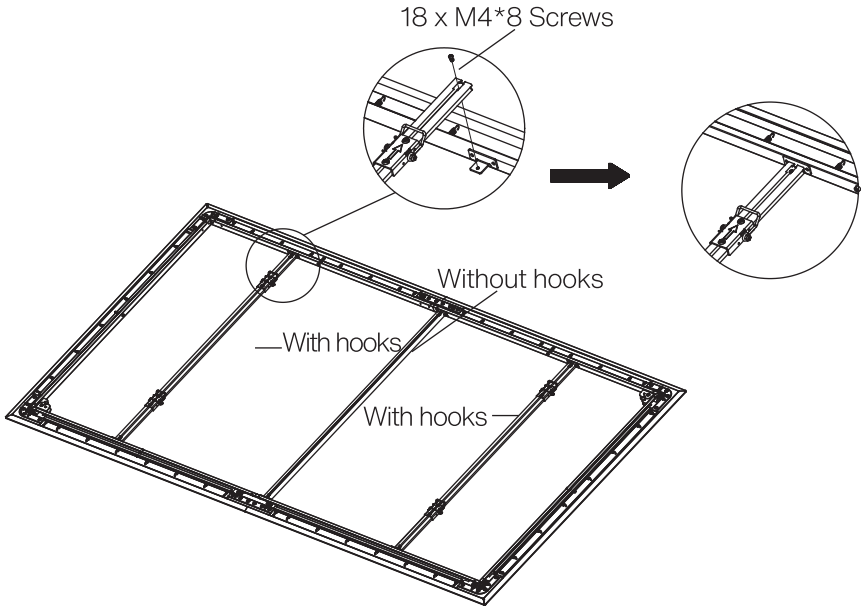
2) Expand the Inner Frames.



3) Fix the Inner Frame Connectors.

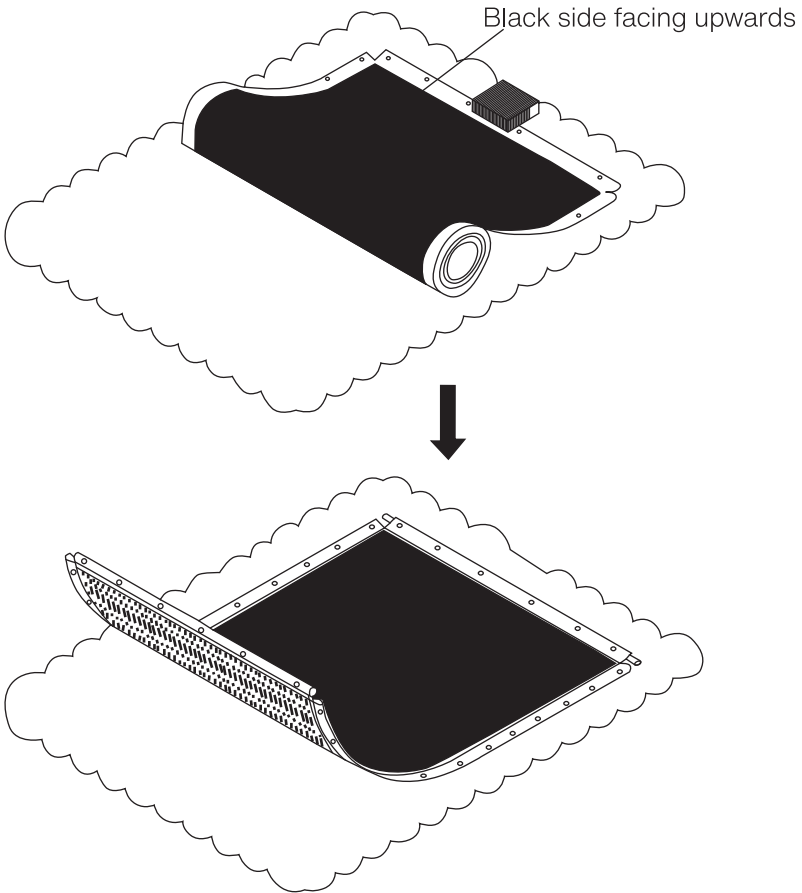


4) Assemble the Struts.

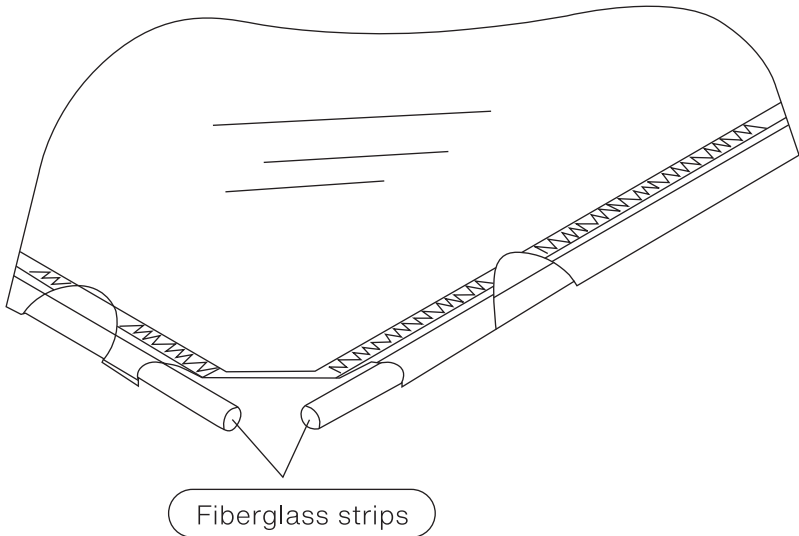


Assemble the Screen

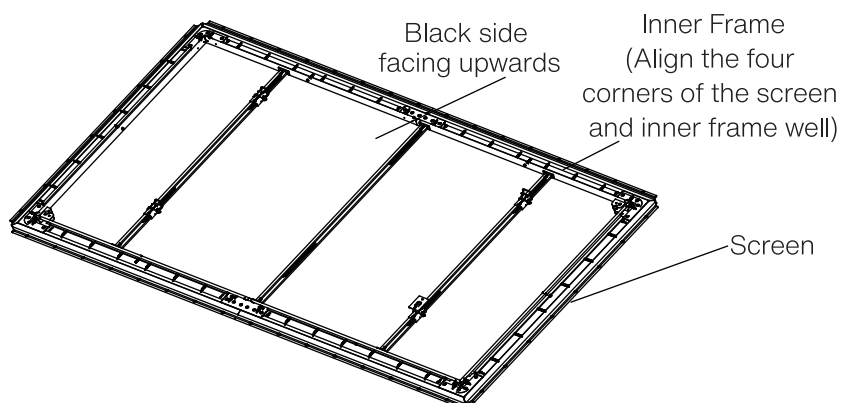
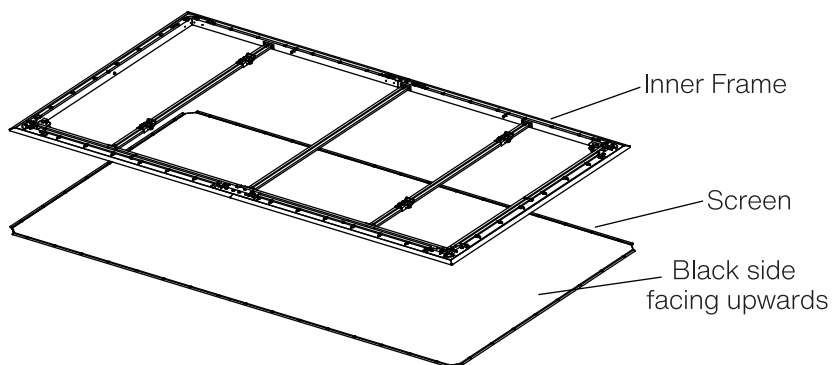
- 1) Place a piece of clean and soft cloth or plastic film onto a flat surface.
- 2) Wear the included anti-dirt gloves before handling the screen to avoid fingerprint smudges.
- 3) Unpack the screen, gently unroll it onto the cloth or plastic film with its back facing upwards.



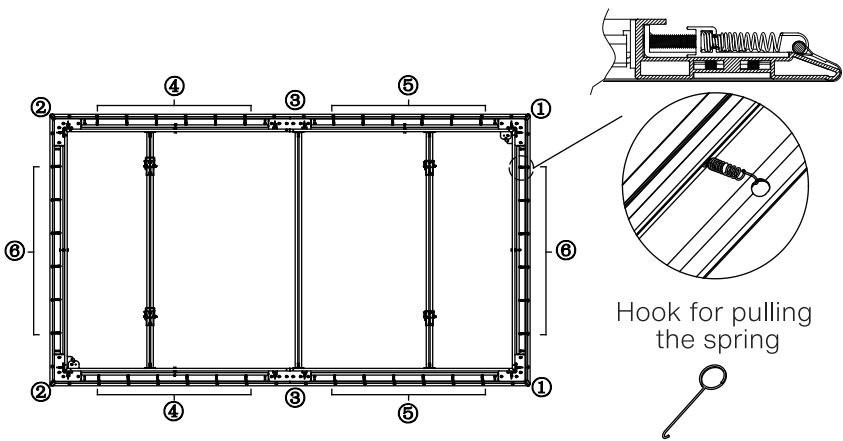
4) Insert the fiberglass strips into the screen sides: 1 longer strip into the short screen side, 2 shorter strips into the long screen side. Make sure the shorter ones in the long screen sides are well aligned with each other.



5) Put the installed inner frame onto the back side of the screen.



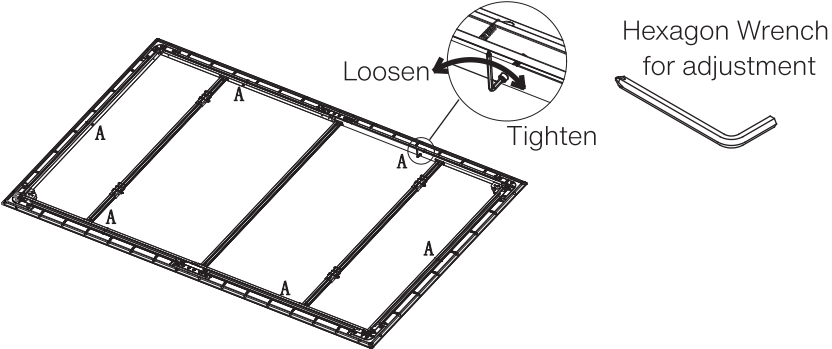
6) Attach the screen onto the inner frame using the tension springs. Install the tension springs to the four corners in the sequence 1~3 first. Then install the other tension springs to both sides from the frame center as shown below (please pull the springs with force at the same time).



Note:

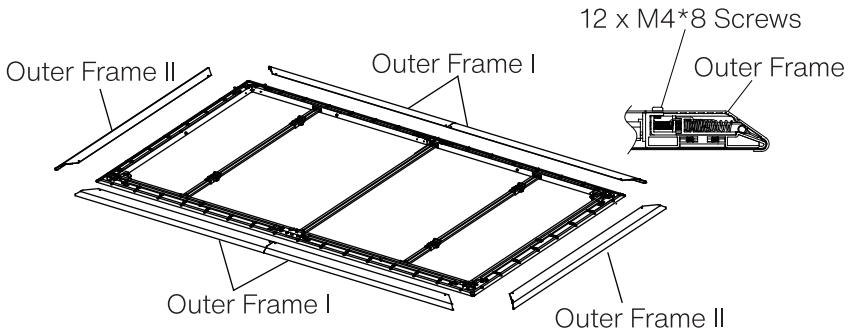
- Pull the tension springs with hooks.
- Hang the tension spring on the fiberglass strips.
- It is strongly recommended that two people pull the tension springs on opposite sides at the same time.

7) Place the screen upright to check its evenness. If the screen is not stretched tight, tighten through the six adjusting bolts (A as shown below).

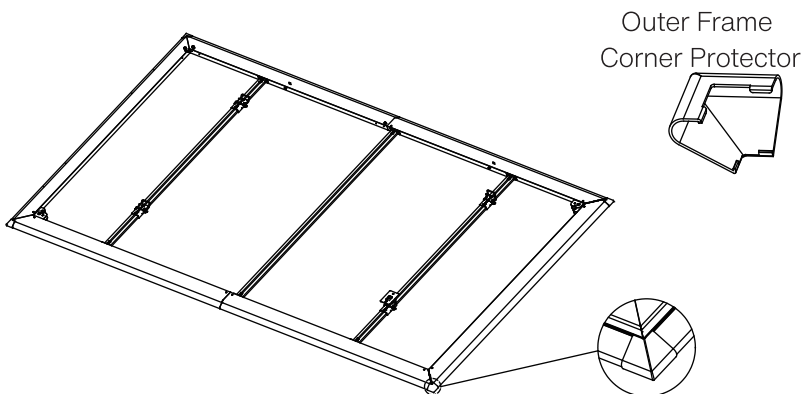


Assemble the Outer Frames and Corner Protectors

1) Place the outer frames against the border of the frame, align the four corners. Fix the inner frames with the outer ones using the included M4*8 screws.

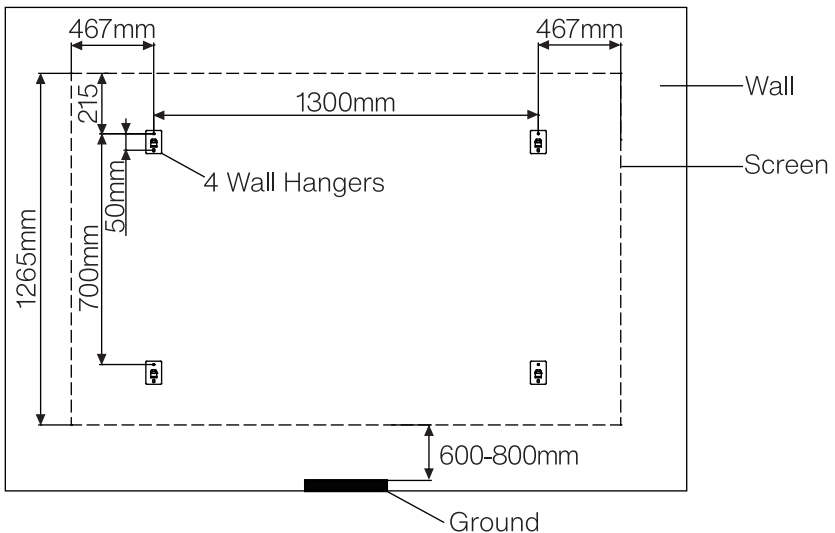


2) Fix the plastic corner protectors onto the four corners. Make sure they are well aligned with the outer frames in case of falling.



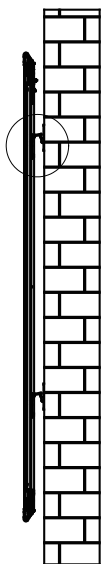
Mount the Screen onto Wall

1) Mount the wall hangers onto the wall with a horizontal distance of 130cm / 51.2in and vertical distance of 70cm / 27.6in. Please estimate the location of the screen to be mounted as per the projector used. Generally, distance between the lower edge of the frame and ground is 60-80cm / 23.6-31.5in.

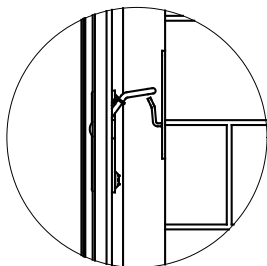


Note: Fix one hanger first, then use the wall drilling template to facilitate locating the position of the remaining hangers.

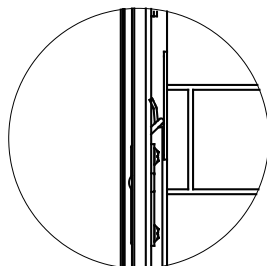
2) Mount the screen onto the wall as shown below.



Before

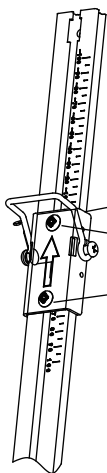


After



Screen Height Adjustment

- 1) Adjust the screen height via the height adjusters on the struts if you have already fixed the wall hangers.
- 2) The height adjusters on the struts are locked to "0" by default.
- 3) Please adjust as shown below.



Originally set to "0".

Slightly unscrew the two screws, move the adjuster to the desired scale and tighten.

Note: Make sure the four height adjusters are set to the same scale.

Specifications

Model	VA-LTS005
Projection Area	2214 x 1245 mm / 87.2 x 49.0 in
Aspect Ratio	100" 16:9
Dimensions	2234 x 1265 x 27 mm / 88.0 x 49.8 x 1.1 in
Net Weight	15.2kg

Warranty and Service

We will provide you with after-sales service based on specific local policies. Please contact your local sales representative or after-sales team for more details.

For any questions or concerns, please email us at support@vava.com or call us at (877) 969-8282 (Monday-Friday: 9:00 – 17:00 PST).

ASIA PACIFIC

E-mail: support.jp@vava.com(JP)

JP Importer: 株式会社SUNVALLEY JAPAN

Address: 〒104-0032 東京都中央区八丁堀3丁目18-6 PMO京橋東9F

EUROPE

E-mail:

support.uk@vava.com(UK)

support.de@vava.com(DE)

support.fr@vava.com(FR)

support.es@vava.com(ES)

support.it@vava.com(IT)

NORTH AMERICA

E-mail: support@vava.com

Tel: 1-877-969-8282 (Monday-Friday: 9:00 – 17:00 PST)

MANUFACTURER

Manufacturer: Shenzhen NearbyExpress Technology Development
Co.,Ltd.

Address: Floor 7, Building E, Galaxy World Phase II, Shenzhen, China



Cancer and Reproductive Harm - www.P65Warnings.ca.gov