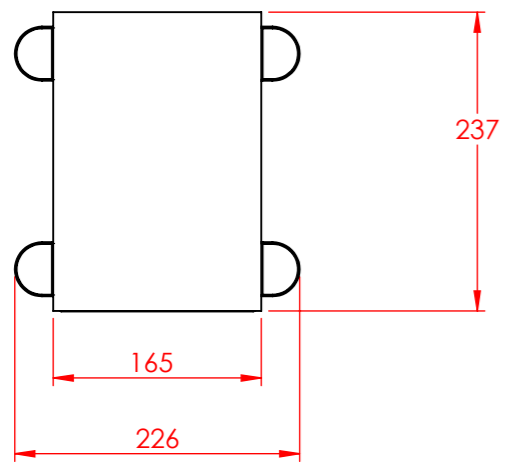
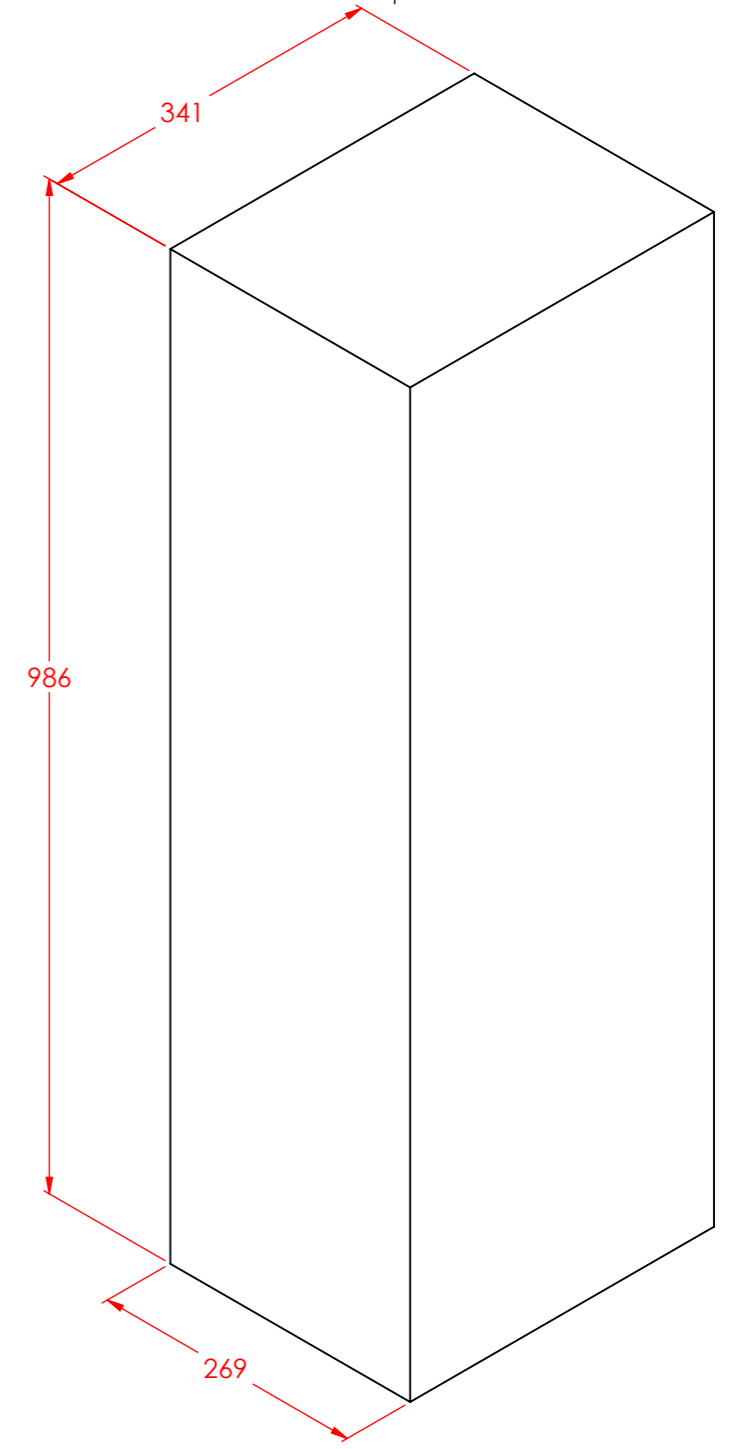
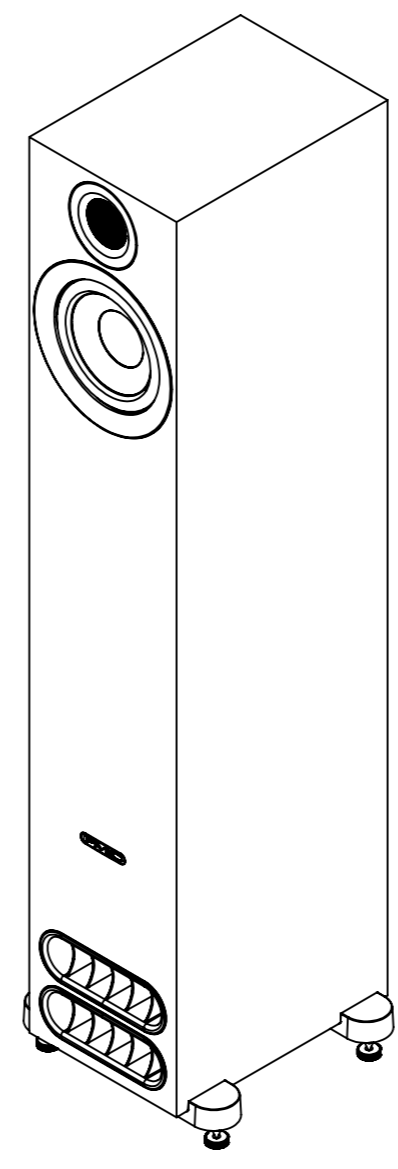
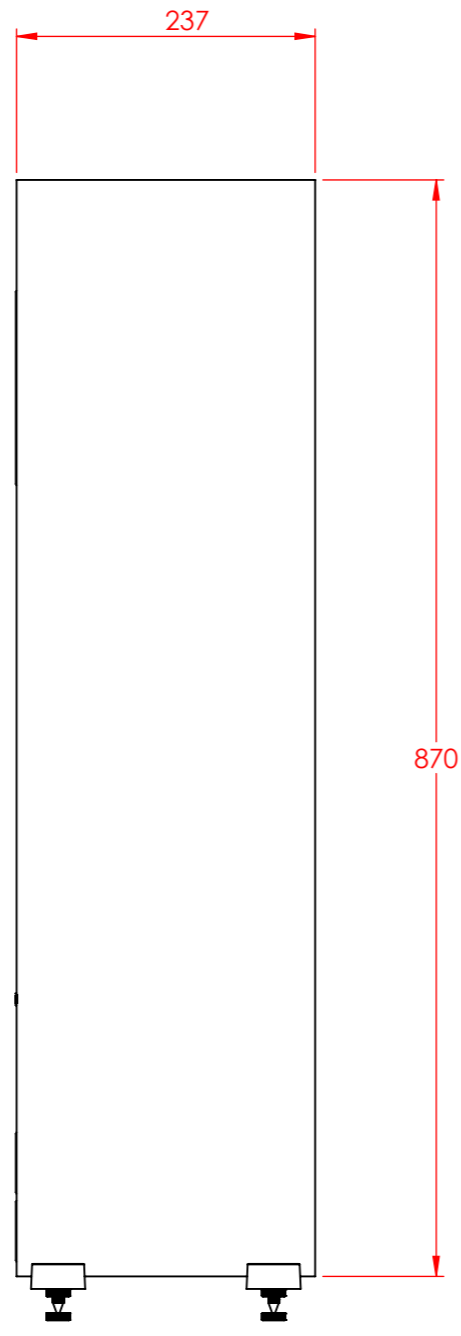


1 A B C D E D E



Listening Axis 765mm  
From Base Of Speaker

33mm MIN  
50mm MAX



PACKAGING

PACKAGED WEIGHT	12KG
UNPACKED WEIGHT	10KG
PACKAGED DIMMS (LXWXH)	269x341x986mm

**PMC**<sup>®</sup>  
 THE PROFESSIONAL MONITOR COMPANY  
 Holme Court  
 Biggleswade, Bedfordshire SG18 9ST  
 Tel: 01767 686 300

SIZE	TITLE		5			
A3	Prodigy5 Outline Drawing		4			
SCALE	PROJECT		3			
1:6	Prodigy		2			
SHEET	PART NO.	REV.	1			
1 of 1	All Tolerances +/-0.2mm Unless otherwise stated		1	TM	INITIAL ISSUE	16/06/22 EW
	ISS.	INIT.			DESCRIPTION	DATE APP.