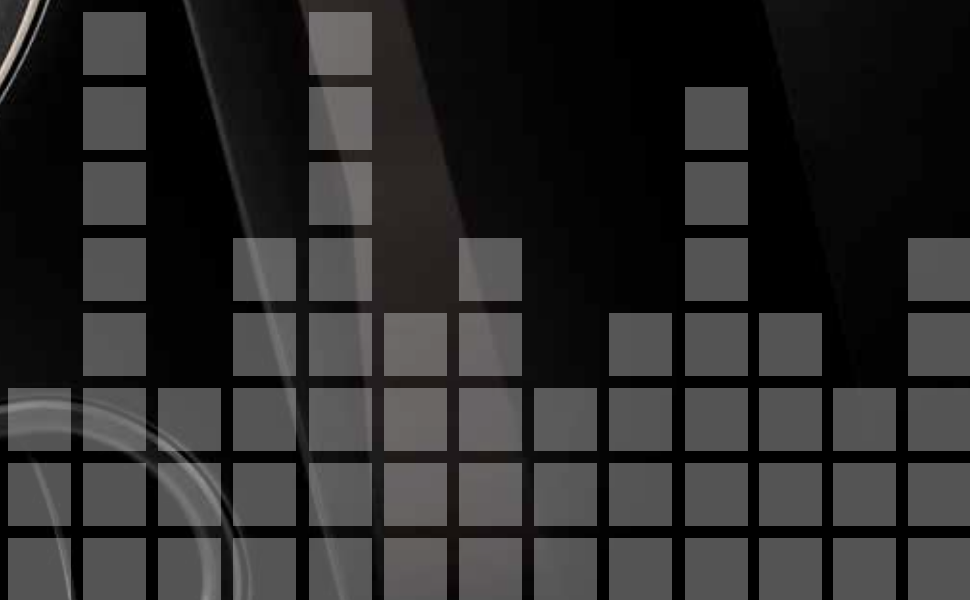


**PMC**<sup>®</sup>

**prodigy**

**USER GUIDE**





# IMPORTANT

## Warranty

Please take a few moments to register your new purchase online at [www.pmc-speakers.com](http://www.pmc-speakers.com) (click on 'Support' then 'Product registration'). This records the purchase of your loudspeakers and provides you, the customer an opportunity to make suggestions and provide feedback directly to PMC. To gain your 5 year extended warranty your product must be registered with us within 10 days of purchase.



Register now for your  
**UNRIVALLED**  
five year extended warranty

## Product Support

For product support, accessories or servicing advice, please contact a PMC authorised retailer – See [www.pmc-speakers.com](http://www.pmc-speakers.com) and click on 'where to buy'.

THE PROFESSIONAL MONITOR COMPANY LIMITED

HOLME COURT, BIGGLESWADE, SG18 9ST, UK

T +44 (0) 1767 686300

[sales@pmc-speakers.com](mailto:sales@pmc-speakers.com)

[www.pmc-speakers.com](http://www.pmc-speakers.com)

© 2023 PMC. All rights reserved.

Ref No: 1297

PMC Stock Code: 16397



# AT HOME IN THE STUDIO

It doesn't matter where you use PMC  
loudspeakers; they'll always make music.



LONDON  
VERSE



TAPELONDON  
TAPEVERSE



LONDON  
VERSE



# WHAT DRIVES US

At PMC, music is an obsession: getting as close as possible to what's being played and recorded has always been our passion. Our aim is not to impose an additional character on the music, rather to create a clear window of the artist's vision, forming a true emotional connection between the music and listener.

This quest for sonic transparency and neutrality has always been our driving force, using advanced engineering to reproduce music as vividly and faithfully as possible. After all, it's in our name – the Professional Monitor Company – and our designs are involved in every stage of music-making, from the recording studio to listening at home.

Put simply, we know exactly how to present music, so you hear what the artist and engineer intended. Our loudspeakers are where science meets art — we take care of the science, and you connect with the art.



# CONGRATULATIONS

You have joined the elite.

Our loudspeakers can be found in all the world's best listening environments, from audiophile living rooms to internationally renowned recording, mastering, broadcast and post-production studios. Our Emmy-award-winning systems are used to create everything from smash Hollywood soundtracks to hit albums by artists including Coldplay, Kraftwerk, Elton John and Adele, as well as audiophile jazz and classical recordings on Deutsche Grammophon, Decca, Philips and Harmonia Mundi.

Whether you listen to our speakers in world-class studios in LA, London, Berlin or Tokyo, or in your favourite listening room at home, you will hear the music exactly as it was intended.

**Stevie Wonder** UNIVERSAL MUSIC GROUP  
**Dolby** *Afrojack* **Thomas Newman**  
NETFLIX Kraftwerk **EMI** **Coldplay**  
elbow *Capitol Studios* Warner Music  
*Royal College of Music* Pinewood Studios  
CALVIN HARRIS **BBC** Apple

# CONTENTS

- 9 General usage guidelines
- 10 PMC's ATL™ (Advanced Transmission Line)
- 11 Laminair™
- 12 Our meticulous attention to detail
- 13 Unpacking
- 16 Spike installation guide (prodigy5)
- 17 Standmounting
- 18 Connections - plugging them in
- 19 Running in or breaking in
- 20 Positioning
- 22 Fine tuning for perfect bass
- 23 Stereo set up
- 24 Surround sound specific set up
- 25 Ideal 5.1 surround sound set up
- 26 Ideal 7.1 surround sound set up
- 27 Service
- 28 Specifications
- 29 Warranty
- 30 Inspection



# GENERAL USAGE GUIDELINES

- 1 Read these instructions and keep them in a safe place for future reference.
- 2 Do not attempt to service the equipment. There are no user serviceable parts inside. Please refer all servicing to PMC authorised personnel.
- 3 Clean the cabinet with a dry, lint-free, cloth. Do not use solvents, abrasives, or waxes.
- 4 Floor spikes are sharp; treat with great care during installation and use.
- 5 Do not use the Laminair™ vent as a grip to lift the loudspeaker as this may result in damage.
- 6 Do not install near heat sources such as radiators, ovens or other equipment that produce excessive heat.
- 7 Do not use the loudspeakers near water or place objects filled with liquid on them, such as vases.
- 8 Ensure the loudspeakers are secure, level and do not tip or fall.
- 9 The packing material can pose danger to the young and vulnerable. Ensure these items are kept or disposed of safely and in accordance with local legislation.
- 10 High volume audio signals, however short their duration, have the potential to cause hearing damage. Therefore, use these loudspeakers within safe comfortable limits.
- 11 Servicing is required when the loudspeaker is damaged, exposed to moisture, or exhibits a distinct or sudden change of operation or audio performance.
- 12 PMC has made efforts to provide accurate installation information and good quality fixings. PMC will not be held responsible or liable for injuries or property damage – direct, indirect, or consequential – arising out of use or inability to use this product safely and properly.
- 13 These loudspeakers contain very powerful magnets and therefore may have a detrimental effect if left near magnetically sensitive items.

The source of PMC's legendary natural, realistic sound is the Advanced Transmission Line (ATL) bass-loading, which uses the energy that the bass unit generates in the most intelligent and efficient way. The highly braced cabinet is lined with proprietary acoustic materials that absorb all but the very lowest frequencies. These exit from a front vent, extending the low frequencies to create the response of a far larger and more powerful speaker.

It is not just about bass: because the low end is so clean and clear, it doesn't mask the rest of the music, meaning vocals are beautifully projected and ultra-vivid.

There are other benefits too: the bass extension doesn't change with volume level – so even when listening quietly, the bass sounds rich and well defined. Moreover, they are less dependent on room effects to enhance the bass, making it simple to position where you want them.

**The benefits:**

- *More detailed, more natural*
- *Full, rich sound at any volume level*
- *Deeper bass from a smaller cabinet*
- *Ease of positioning*



**prodigy5** showing **ATL** in cross-section with **Laminair** vent

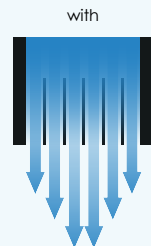
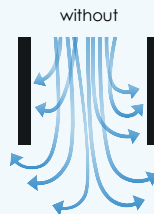
We even engineer the air in our loudspeakers to ensure you only hear music that will take your enjoyment to the next level. In these high-performance designs air moves in and out the cabinet under pressure at high speeds. By introducing F1 aerodynamic principles in the form of Laminair vents it dramatically reduces resistance, increases efficiency, and eliminates airflow noise. This provides bass with supreme timing and the ultimate dynamic range.



prodigy1 showing ATL in cross-section with Laminair vent

*“Nothing else comes close to the clarity, timing and dynamics”*

Laminair aerodynamic vent



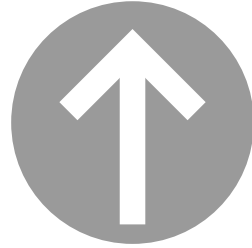
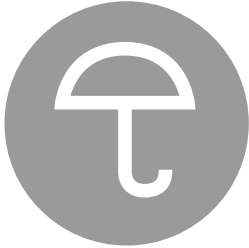
## OUR METICULOUS ATTENTION TO DETAIL

All PMC loudspeakers are designed and hand-built in the U.K. using individual components that are matched to our reference model; this includes the structural integrity of every cabinet and the testing and recording of each component. This guarantees it will be within our strict tolerances and ensures your purchase sounds identical to the original design. Each completed loudspeaker then undergoes a set of objective and subjective measurements - frequency response sweeps ensure that the design meets our exacting performance criteria, and then listening tests are conducted against the reference model using a wide variety of material, from a benchmark BBC speech test to classical music, pop and rock.



“ Computers don't tell the full story. As well as a full frequency analysis, we listen to each speaker we make and run a benchmark BBC speech and music test on every single one. ”

# UNPACKING



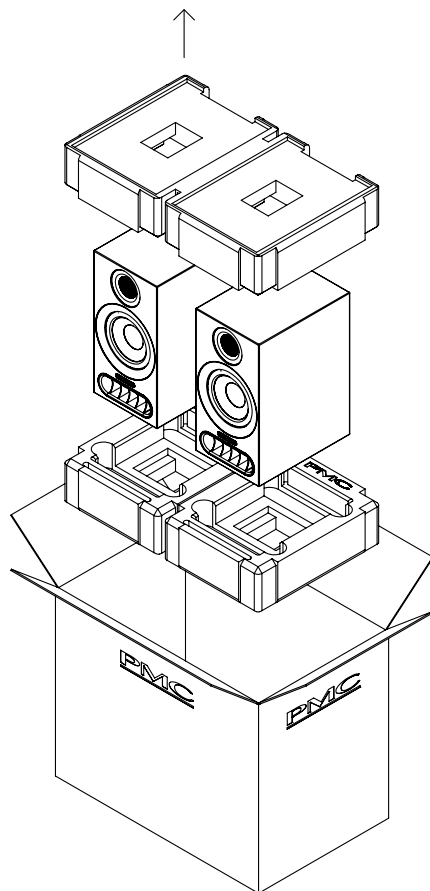
Please retain your packaging for future use as all PMC cartons are durable, reusable and can be employed to safely transport your loudspeakers should they be relocated or returned for servicing.

Much of the packing is constructed from recyclable materials, so if you are to dispose of it please do so in an environmentally friendly manner.



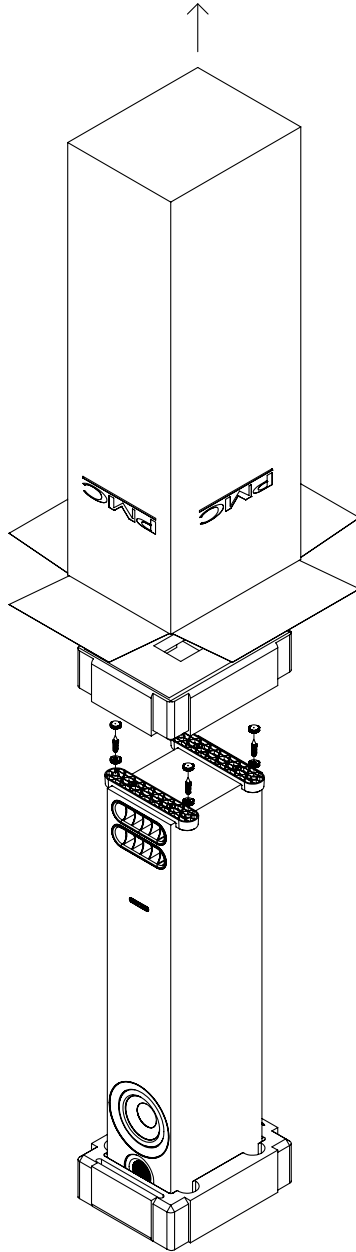
Packing materials can pose danger to animals, the young and vulnerable. Ensure these items are kept or disposed of safely.

prodigy1



**TAKE CARE WHEN UNPACKING – THERE ARE DELICATE  
TERMINALS ON THE REAR OF THE CABINET**

**prodigy5**



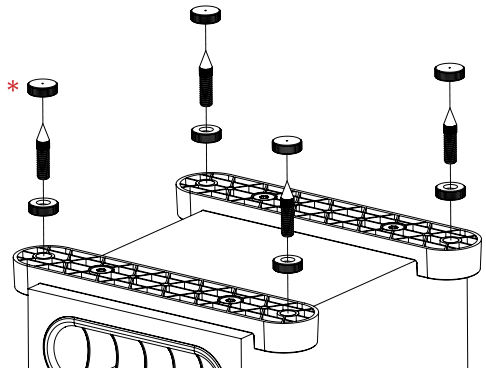
# SPIKE INSTALLATION GUIDE

Spikes are used to enhance performance of the prodigy5 and allow the loudspeaker to be levelled perfectly.

- 1 Carefully invert the loudspeaker so that its base is uppermost. Take care not to damage the top of the loudspeaker when it is upside-down, the use of a soft cloth or another non-abrasive material is ideal is suggested.
- 2 The spikes can then be inserted and screwed into the M8 threaded hole.
- 3 Carefully re-invert the loudspeaker.
- 4 Once in position, level the loudspeaker by adjusting each spike in turn using a spirit level on the top of the cabinet to confirm. While this might seem a time-consuming exercise, it is important both in terms of system performance and the stability of the loudspeaker.
- 5 The final step is to tighten each knurled collar/nut; this will ensure that the spike and loudspeaker is as rigid as possible. Do not use tools as this may lead to overtightening and damage.



**Caution:** The spikes are sharp, treat them with care; they may damage hard flooring if in direct contact. We have included \*pucks to protect sensitive or hard flooring.





# STANDMOUNTING

The prodigy1 compact standmount speaker is designed to offer exceptional clarity while taking up minimal space, and can be used either on a stand or in conjunction with audio/video furniture.

To realise their optimum performance, use a quality high-mass stand that positions them at the ideal height and with complete stability.

Your retailer will be able to advise you on the best stand for you and your speaker setup.



# CONNECTIONS

## Caution



To avoid potential damage, please ensure that your power amplifier(s) or receiver is turned off before connecting or disconnecting your loudspeakers.

## Cable & connectors

When selecting cables for use with your prodigy loudspeakers, ensure that their construction is of a high enough standard to withstand the rigors of everyday use and that they are suitably terminated. While bare wire can be accommodated by the prodigy series binding posts, we recommend the use of either spade lugs or 4mm 'banana' plugs in order to maintain an electrical connection of the highest integrity and avoid the possibility of short circuits. Please consult your dealer for more information regarding cable lengths and termination options.

## Polarity + & -

It is of vital importance to observe the polarity markings and maintain positive-to-positive and negative-to-negative connections from amplifier or receiver to the loudspeaker. The prodigy terminals are colour-coded to aid in their identification: positive terminals are **red**, negative terminals are **black**.

**NB: DO NOT USE TOOLS TO TIGHTEN THE BINDING POSTS**

## RUNNING IN OR BREAKING IN



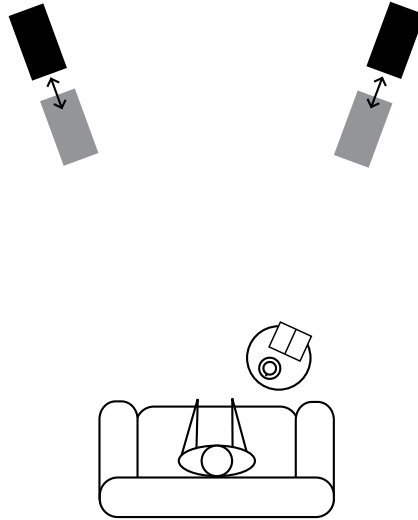
50  
HOURS

When loudspeakers are new they will take time to reach their full potential. It is often debated whether any solid-state equipment, such as CD players or transistor-based power amplifiers change with use, but the characteristics of mechanical devices such as loudspeakers do alter and improve their performance significantly after a short 'running in' period.

The science is simple; as the soft material surrounding the dome or woofer cone is flexed it will eventually reach a point where it has optimum compliancy allowing the drive unit to move more freely. This translates to greater accuracy and speed of attack in the bass region and the mid and high frequency produces a far more vivid audio picture. This 'running in' period takes approximately 50 hours of normal use.

50+ hours to run-in

# POSITIONING



With their unique ATL™ Advanced Transmission Line design, wide dispersion, ultra low distortion and smooth bass roll-off, PMC loudspeakers are more forgiving of difficult room conditions and placement constraints than conventional designs so you will be able to achieve a superb sound throughout the room with little effort. We do encourage you to spend some time experimenting in your own room in order to achieve the very best results, remembering that small changes in location can often influence system performance.

Room shape, size, construction and interior decoration vary immensely and therefore influence sound in different ways. The following guidelines are suggestions for the starting point to locate your new speakers. Fine-tuning of their positioning can start from here.

- Place the speaker so the front face is slightly forward of any large object that protrudes into the room – eg. a fireplace, bookcase or television.



See stereo set up diagram

- Ensure that stereo pairs of loudspeakers are equidistant from the listening position.
- It is best to position the front left/right pair (and centre channel loudspeaker if you have a surround system) at the same height, usually at ear-level when seated at the listening position.



If any of the speakers are mounted above or below ear level, then angle the speaker towards the listening position.

- The distance between your left/right speakers and the listening position should ideally be equal. As a general rule, the width of the audio picture will be narrow if the speakers are too close together. If they are too far apart the picture will be wide but there will be less central definition.



Use a well recorded vocal track to judge the ideal spot.

- To enhance the audio picture/soundstage and sound balance, the speakers can be angled/toed-in. With the speakers facing straight ahead play a well recorded vocal track. Gradually toe-in both speakers by small increments (max 5° at a time) (see stereo set-up diagram) until the voice is vivid and centrally placed. You can ensure this is best position by going 'one step too far' then returning. Then, use a track with extended high frequencies such as cymbals, check that they sound clear but not overpowering. If they sound too loud or harsh subtly toe the speakers out by very small increments until you achieve the ideal balance; then repeat both listening tests to confirm.



A simple, well-recorded band with vivid vocals will help to find the best position.

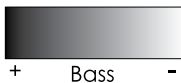
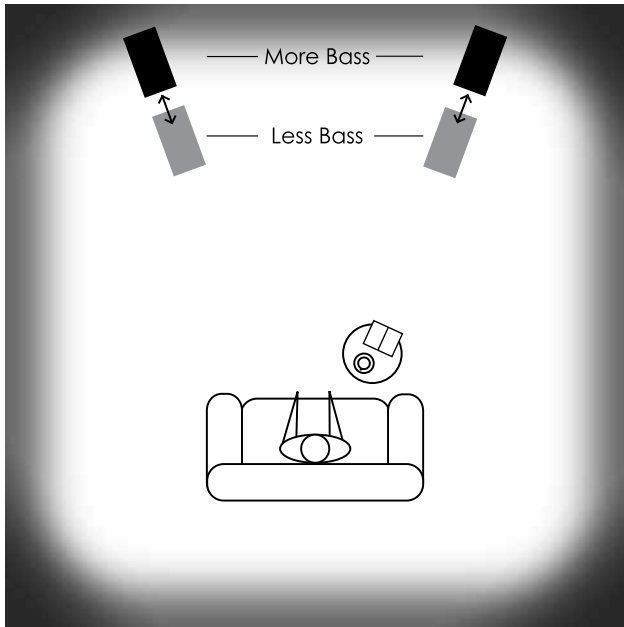
# FINE TUNING FOR PERFECT BASS

## Bass / LF (Low Frequency adjustment)

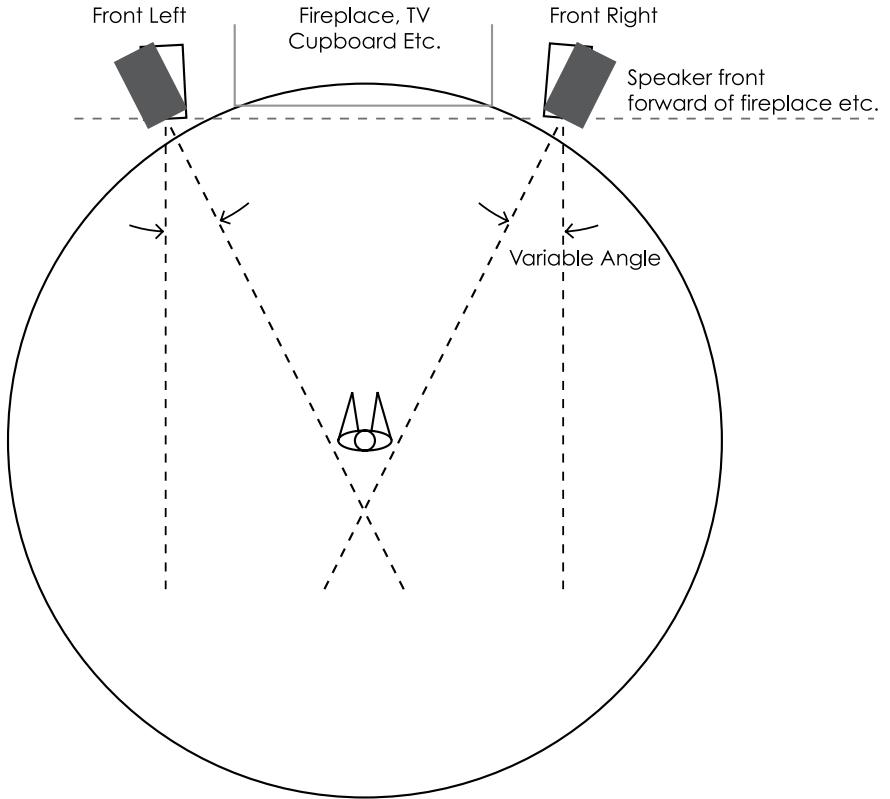
Solid boundaries (i.e. walls, ceilings and floors) reflect sound and help to contain it within a room. They make a speaker sound louder the closer they are to them, especially in the low frequency (bass) region.

This diagram shows the areas, that if a speaker is positioned, will either increase or decrease bass – The darker the shading the more bass will be heard. Placing the speakers in the corners will generate the most bass, and in the centre of the room, the least bass.

Fine tuning for perfect bass



# STEREO SET UP



# SURROUND SOUND SPECIFIC SET UP

## 5.1 Systems

The prodigy series has been designed for perfect multi channel music or movie playback and the following diagrams display the ideal layout for the speakers.



No doubt the constraints of room size and shape will vary the distances from the listener to the speakers. Therefore use of the time alignment function of your surround processor will be important.



The guidance given in the 'Stereo set up' and 'Fine tuning for perfect bass' also apply to the set up of a surround system.

## 7.1 Systems

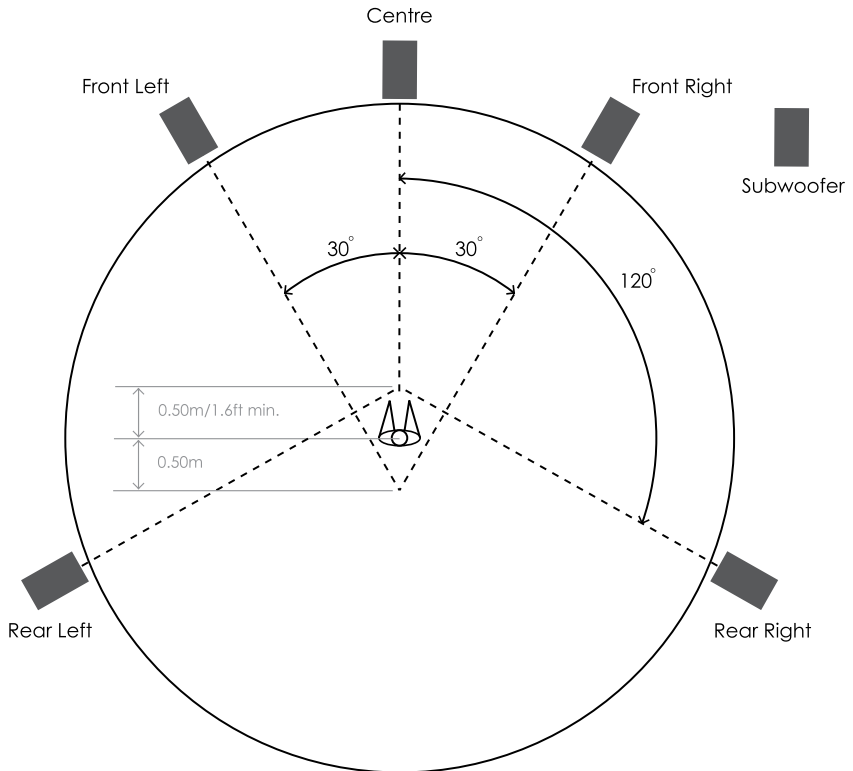
In a system capable of full 7.1 Dolby® Digital Surround EX™, DTS® ES™, Blu-ray™ or HD DVD™ playback there will be two sets of surround speakers. The first pair should be positioned at 100° and the second set at 150°. (The centre is considered 0° while directly to the rear of the room is 180°). See Ideal 7.1 surround set up diagram.

## Other Immersive Surround Formats

DTS:X™, Dolby Atmos™, Auro 3D® – we have models to suit every format. With our vast array of product options it is easy to create a bespoke state-of-the-art home cinema to take full advantage of the latest surround sound formats, regardless of the number of channels or placement of the speakers. In addition to the choices from the prodigy series we produce in-wall and on-wall ci series models and both active and passive subwoofers. See [www.pmc-speakers.com](http://www.pmc-speakers.com) for more information.

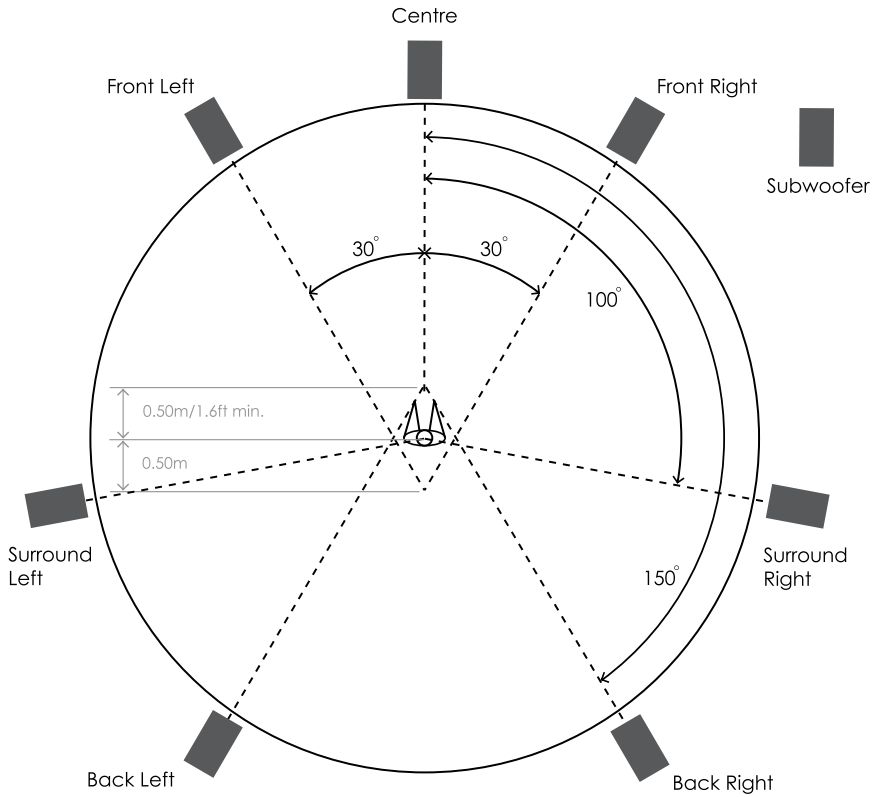


# IDEAL 5.1 SURROUND SET UP



Dolby® Digital Surround EX™ and Dolby Atmos are registered trademarks of Dolby® Laboratories  
DTS® ES™ and DTS:X™ are registered trademarks of DTS®, Inc  
Auro 3D® is a registered trademark of Auro Technologies  
Blu-ray™ is a trademark of the Blu-ray™ Disc Association  
HD DVD™ is a trademark of the DVD Format/Logo Licensing Corporation (DVD FLCC)

# IDEAL 7.1 SURROUND SOUND SET UP



For the Dolby Atmos™ system height channels are required. We produce a range of products to accommodate this. See [www.pmc-speakers.com](http://www.pmc-speakers.com)

# SERVICE

We are confident your prodigy loudspeakers will afford many years of trouble-free listening of the highest order. But in the unlikely event that one or more requires repair, our unique manufacturing procedure, wherein the precise value of each component together with the response of the system as a whole is recorded, will ensure that any replaced parts will exactly match the performance of those originally included within each individual loudspeaker.

For any issues that might arise, or for advice and service requirements, the primary point of contact should be your knowledgeable and authorised PMC dealer/distributor.

If you do not have a local representative please see [www.pmc-speakers.com](http://www.pmc-speakers.com) and click on 'where to buy'.

Alternatively you can view our FAQ's (Click on the contacts section and select FAQ).

# prodigy1

<b>Freq response</b>	50Hz – 25kHz (-3dB)
<b>Sensitivity</b>	87.5dB SPL 1W 1m
<b>Rec. amp power</b>	20 - 250W
<b>Effective ATL™</b>	1.91m 6.3ft
<b>Impedance</b>	6 Ohm
<b>Drive units</b>	<b>LF</b> PMC 5.25"/133mm natural fibre long-throw <i>LT™</i> <b>HF</b> PMC 27mm /1" soft dome
<b>Peak SPL</b>	123dB SPL
<b>Crossover freq.</b>	1.7kHz
<b>Horizontal Directivity</b>	80 degrees
<b>Vertical Directivity</b>	80 degrees
<b>Input connectors</b>	One pair 4mm binding posts
<b>Dimensions</b>	<b>H</b> 320mm 35.7" (+20mm spikes) <b>W</b> 162mm 6.4" <b>D</b> 237mm 9.3" (+10mm optional grille)
<b>Weight</b>	4.5kg 9.9lbs ea.
<b>Finish</b>	Silk Black
<b>Options</b>	prodigy1 grille



Stands not included

# prodigy5

<b>Freq response</b>	35Hz - 25kHz (-3dB)
<b>Sensitivity</b>	87.3dB SPL 1W 1m
<b>Rec. amp power</b>	20 - 250W
<b>Effective ATL™</b>	1.96m 6.4ft
<b>Impedance</b>	6 Ohm
<b>Drive units</b>	<b>LF</b> PMC 5.25"/133mm natural fibre long-throw <i>LT™</i> <b>HF</b> PMC 27mm /1" soft dome
<b>Peak SPL</b>	124dB SPL
<b>Crossover freq.</b>	1.7kHz
<b>Horizontal Directivity</b>	80 degrees
<b>Vertical Directivity</b>	70 degrees
<b>Input connectors</b>	One pair 4mm binding posts
<b>Dimensions</b>	<b>H</b> 905mm 40" (+20mm spikes) <b>W</b> 165mm 6.5" (233mm incl. plinth bars) <b>D</b> 237mm 9.3" (+10mm optional grille)
<b>Weight</b>	10kg 22lbs ea.
<b>Finishes</b>	Silk Black
<b>Options</b>	prodigy5 grille



## WARRANTY

Register within 10 days to unlock  
your **5 year extended warranty**



Visit [pmc-speakers.com](http://pmc-speakers.com) and click on  
'Support', then, 'Product registration'

# INSPECTION

Every component that appears in a PMC product is measured, tested, matched and recorded by hand. This analysis also applies to the final product we build to ensure you receive an identical replica of the reference model.

You can be reassured that the below criteria has been carefully checked by the individual builder of your new prodigy series loudspeakers.

Crossover matching

Enclosure finish

Assembly & Wiring

Driver installation

Enclosure seal

Level - frequency

Impedance - frequency

Pair matching

Listening test 1

Listening test 2

Final inspection

Accessory pack

Quick start guide

© 2023 PMC. All rights reserved.

This document should not be construed as a commitment on the part of The Professional Monitor Company Limited (PMC). The information it contains is subject to change without notice. PMC assumes no responsibility for errors that may appear within this document. Information subject to change.

**ATL**, **prodigy**, and **Laminair** are trade marks of The Professional Monitor Company Limited.

CE Conformity PMC passive loudspeakers conform to CE Directive LVD 73/23/EEC and EMC 89/336/EEC.

WEEE European directive - PMC is a member of a National Compliance scheme and have gained the associated certification of compliance and the following registration number from the Environment Agency WEEE/GJ0101WU

WEEE EU Directive

This symbol on the product or in/on its packaging indicates that this product must not be disposed of with other household waste. It is the responsibility of the owner to dispose of waste equipment via a designated collection point for the recycling of waste electrical and electronic equipment. The recycling of your waste equipment is an attempt to conserve natural resources and ensures that it is recycled in a manner that protects human health and the environment. For more information about where you dispose of your waste equipment for recycling, please contact your local waste/recycling authority or the dealer from whom you purchased the product.





**PMC**

**PMC**<sup>®</sup>

T + 44 (0) 1767 686300  
sales@pmc-speakers.com  
www.pmc-speakers.com

PMC Stock Code: 16397  
Ref No. 1299 - April 23